

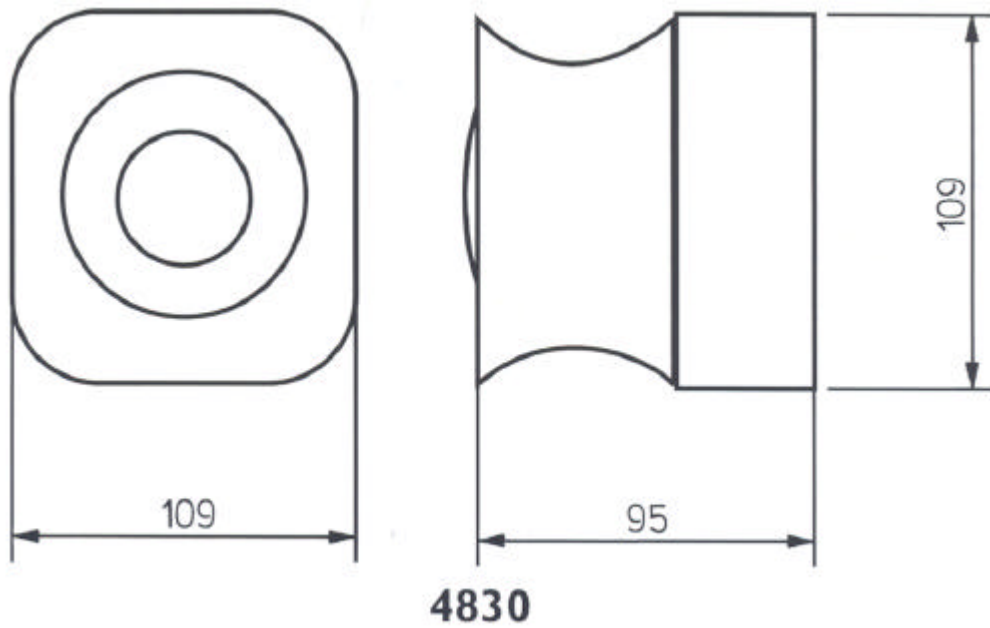
SOUNDER



The 4830 is an innovative sounder that sets new standard for low current high output alarms. With a full 100dB sound output at 1 metre and only 5mA current consumption.

The 4830 is an ideal sounder for situation where current consumption needs to be as low as possible but a high sound output is still required.. The 4830 has been designed for general internal alarm applications and its low current makes it suitable for installation in loop powered system. Double entry back box for easy installation. Suitable for one, two or three stage alarm application. Available in white ABS moulding (art. 4830W).

DIMENSIONS



	4830
Material	ABS plastic case
Connections	Built in terminal blocks
Colours	Red - White
Power Supply	12 - 30 Vdc
Current Consumption	5 mA @ 24 Vdc
Sound Pressure	100 dB @ 1 meter
Available tones	Alternated tone $\frac{1}{4}$ sec 990 Hz, $\frac{1}{4}$ sec 650 Hz Continuous tone at 990 Hz, pulsed tone sec. 990 Hz, $\frac{1}{2}$ sec OFF
IP Rating	IP 42
Working Temperature	-25° to +70° C
Package	1 pcs.
Weight	212 gr