

SOUNDER

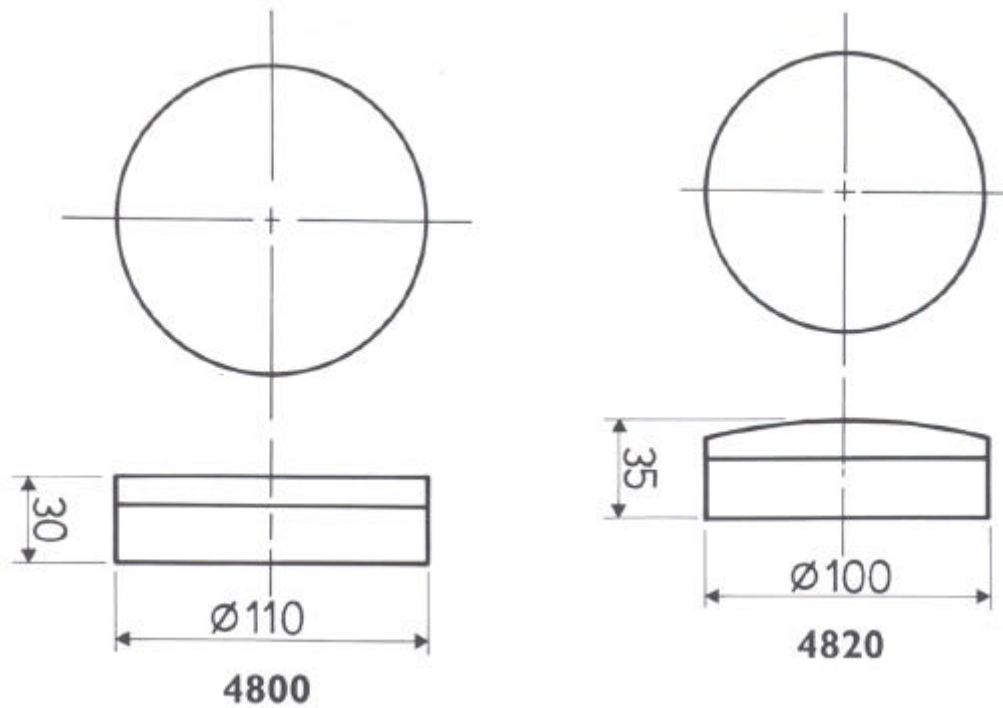


The 4800 is the original innovative ceiling sounder with a universal fire detector mounting platform. The 4820 is an ultra low current ceiling sounder with a detector mounting platform.

The 4800 has a wide range of operating voltage from 10Vdc to 28Vdc. Ultra slim profile for unobtrusive installation. Blank cover for use as a stand alone sounder. Low current consumption. Volume control as standard.

The 4820 has a wide range of operating voltage from 10Vdc to 28Vdc. Available in white ABS moulding (art.4820W). Ultra slim profile for unobtrusive installation. Blank cover for use a stand alone sounder. Low current consumption (only 3mA). Volume control as standard. Choice of four selectable tones.

DIMENSIONS



	4800	4820
Material	ABS plastic case	
Connections	Built in terminal blocks	
Colours	White	Red - White
Power Supply	10 - 28 Vdc	9 - 30 Vdc
Current Consumption	18 mA @ 24 Vdc	3 mA @ 24 Vdc
Sound Pressure	93 dB @ 24 Vdc	90 dB @ 24 Vdc
Available tones	Sweeping 800 - 970 Hz at 1 Hz	4
IP Rating	IP 54	IP 42
Working Temperature	-40° to +80° C	-25° to +85° C
Package	1 pcs.	
Weight	150 gr	155 gr