

## SOUNDER



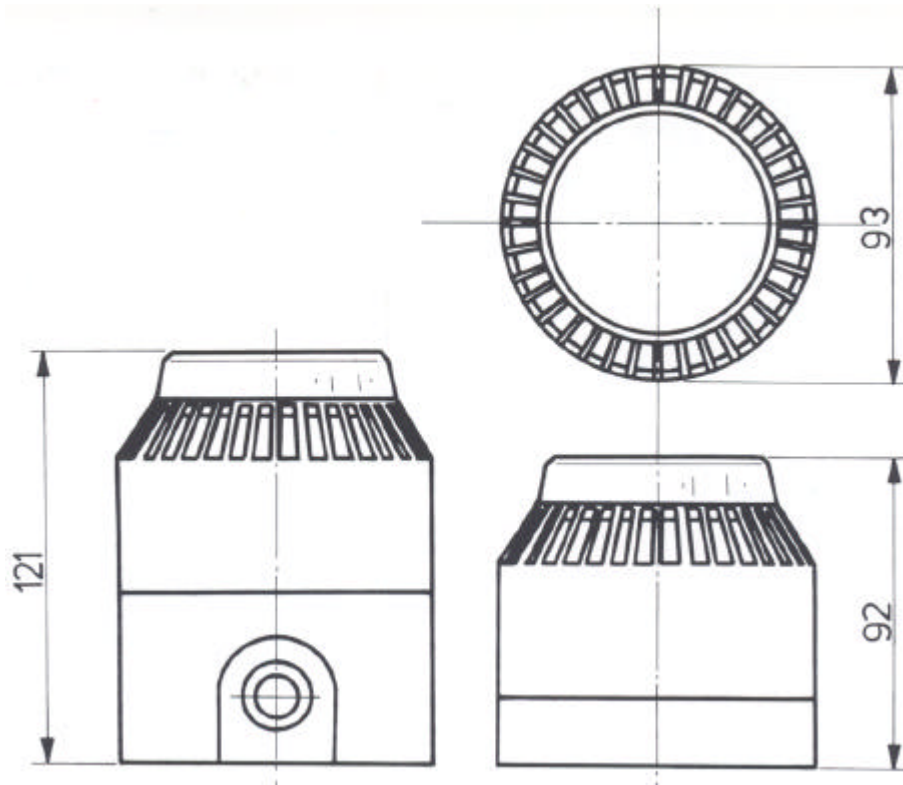
**Providing an audio-visual warning, the art. 4484 and art. 4485 combines the features of an electronic sounder with a fully integrated xenon beacon circuit.**

High efficiency Fresnel lens for maximum light output. Compact design suitable for a wide range of locations. Single terminal block for an easy installation.

Weather resistant to IP65 when used with deep base (art. 4485).

Volume control as standard. Available in white ABS moulding (art. 4494W and art. 4485W).

## DIMENSIONS



	4484	4485
<b>Lens Material</b>	Polycarbonate	
<b>Lens Colour</b>	Red	
<b>Base Material</b>	Polycarbonate	
<b>Connections</b>	Built in terminal blocks	
<b>Available Base Colours</b>	Red - White	
<b>Power Supply</b>	18 - 30 Vdc	
<b>Current Consumption</b>	68 mA @ 24 Vdc	
<b>Flash Energy</b>	0.7 J	
<b>Selectable Flash Rate</b>	1 Hz	
<b>Sounder Pressure</b>	101 dB @ 1 meter	
<b>Available Tones</b>	Sweeping 800/970 Hz at 1 Hz - Continuous at 970 Hz	
<b>IP Rating</b>	IP 54	IP 65
<b>Working Temperature</b>	-10° / +55° C	
<b>Package</b>	1 pcs.	
<b>Weight</b>	230 gr 250 gr	