

## STROBES

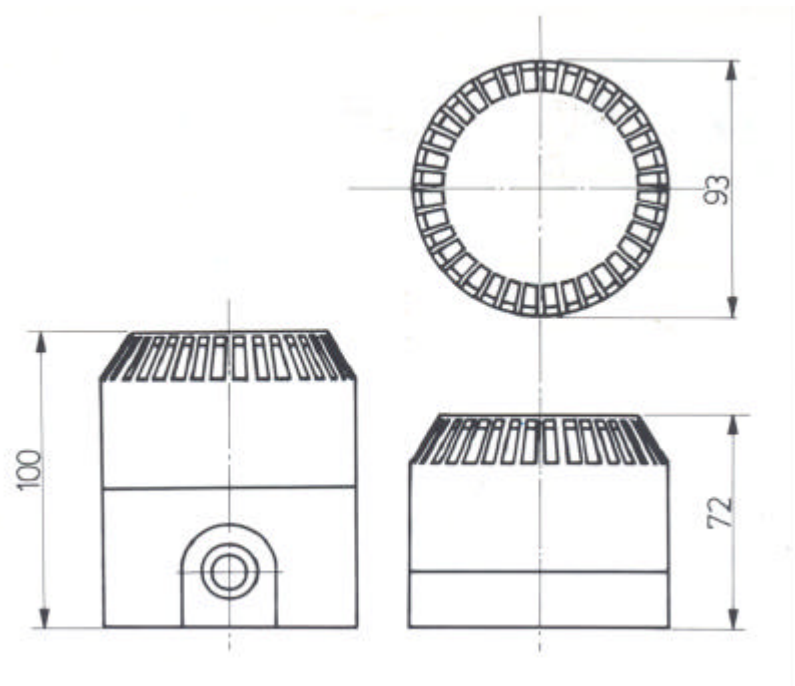


**Xenon beacons designed for a wide variety of fire, security and industrial applications where reliability, efficiency and flexibility are prime of importance.**

No switch on current surge. No more blowing fuses. Selectable flash frequency (4482MV and 4483MV). ACM (active current management) circuitry to reduce current consumption.

Built in terminal block which will save expense of external terminal boxes. Choice of clear, red, amber, blue or green lenses. The range includes the following xenon beacons: 4480, 4481, 4482, 4483, 4482MV, 4483MV

## DIMENSIONS



	4480	4481	4482	4483	4482MV	4483MV
<b>Lens Material</b>	Polycarbonate		Polycarbonate		Polycarbonate	
<b>Base</b>	ABS Plastic base		ABS Plastic base		ABS Plastic base	
<b>Connections</b>	Built in terminal blocks		Built in terminal blocks		Built in terminal blocks	
<b>Lens Colours</b>	Red		Amber		Red	
<b>Power Supply</b>	20-30 Vdc		10-15 Vdc		10-30 Vdc	
<b>Current Consumption</b>	90 mA @ 24 Vdc		200 mA @ 12 Vdc		156-400 mA @ 24 Vdc depending on selected frequency	
<b>Power Rating</b>	2.1 W		2.4 W		5 W at 1 Hz	
<b>Flash Energy</b>	1.45 J		1.45 J		3.6 J	
<b>Flash Rate</b>	1 Hz		1 Hz		0.75 Hz, 1 Hz, 2 Hz selectable	
<b>IP Rating</b>	IP 54	IP 65	IP 54	IP 65	IP 54	IP 65
<b>Working Temperature</b>	-20° to +55° C		-20° to +55° C		-10° to +55° C	
<b>Weight</b>	230 gr	250 gr	230 gr	250 gr	230 gr	250 gr
<b>Package</b>	1		1		1	
<b>Special Versions</b>			4482 B - Blue Lens 4482 G - Green Lens 4483 G - Green Lens		4482 MVA - Amber Lens 4483 MVA - Amber Lens	