

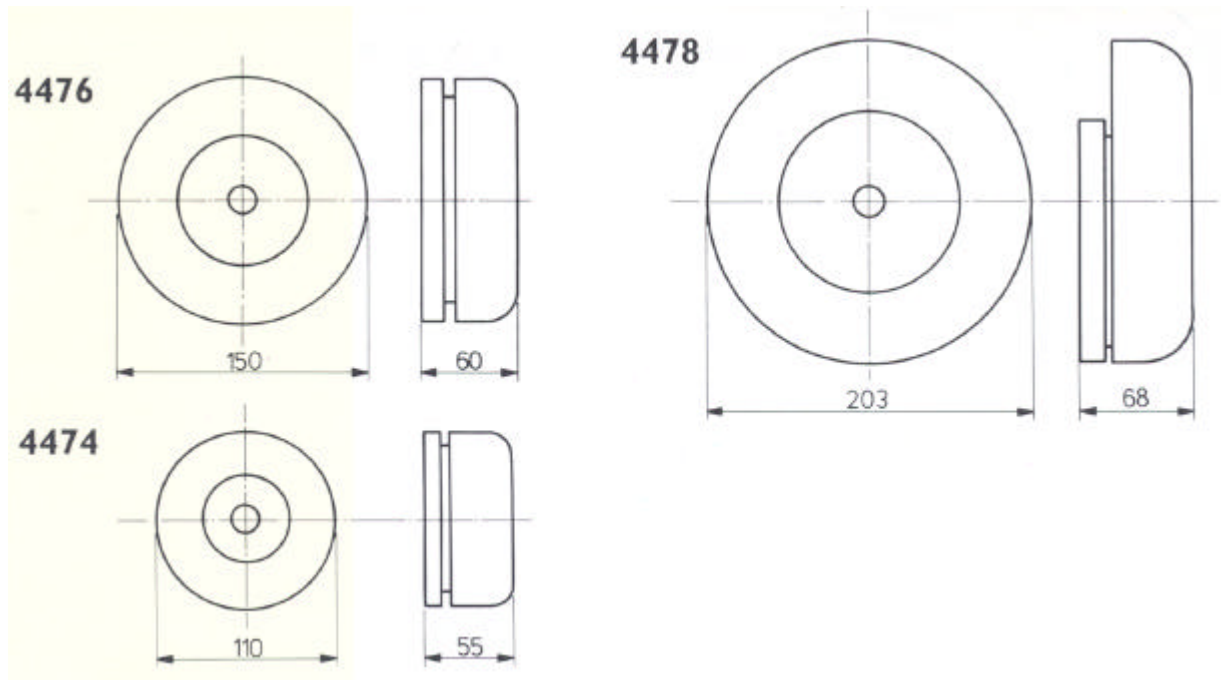
## SOUNDER



**The 4474 4476 and 4478 range of fire bells combines good styling with functional efficiency, a range of motorised bells suitable for most fire alarm and security applications.**

The range of motorised bells incorporate a highly efficiency rotary centrifugal movement combining high sound output with low current consumption. Wide range of voltage and gong diameters. Options of customised discs printed with company name and logo. Simple installation via multiple fixing base plate for all types of locations. The range includes the following bells: 4474-12, 4474-24, 4476-12, 4476-24, 4478-12, 4478-24

## DIMENSIONS



	4474-12	4474-24	4476-12	4476-24	4478-12	4478-24
<b>Nominal Voltage</b>	12 Vdc	24 Vdc	12 Vdc	24 Vdc	12 Vdc	24 Vdc
<b>Power Supply</b>	8-16 Vdc	18-30 Vdc	8-16 Vdc	18-30 Vdc	8-16 Vdc	18-30 Vdc
<b>Current Consumption</b>	100 mA	20 mA	100 mA	20 mA	100 mA	25 mA
<b>Sound Pressure</b>	84 dB @ 1 meter		93/95 dB		95/97 dB	
<b>Mechanism</b>	Motor, pinion and striker					
<b>Mechanical Features</b>	DC motor, oddball gear wheel, steel striker					
<b>Gong Material</b>	Steel, secured with Philips head screws					
<b>Gong Finishing</b>	Etch primed, stove enamelled red					
<b>Base Plate</b>	Moulded black polycarbonate					
<b>Mounting</b>	Direct to wall or conduit box					
<b>Connections</b>	Terminal blocks, two in and two out					
<b>Monitoring</b>	-	Two series diode	-	Two series diode	-	Two series diode
<b>Package</b>	1		1		1	
<b>Peso</b>	450 gr		850 gr		1700 gr	