

SOUNDER



The art.4465 electronic sounder has been developed to provide alarm signal for a wide variety of fire, commercial and industrial application. The art.4467 is an ideal electronic sounder for use in hotel bedrooms and has been designed to meet the requirements of BS5839 Part 1 with regard to sound output in sleeping risk.

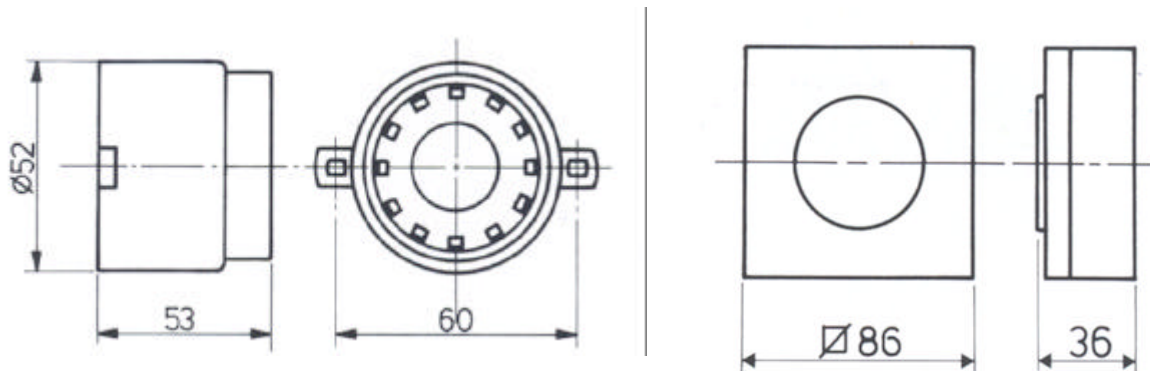
The 4465 can be also used for pedestrian crossing sound signal, vending machine, security alarm etc.

A second preset tone is available with a third wire installed in the sounder circuit. 12Vdc and 24Vdc operation in same sounder no adjustment required. High sound output with low current consumption. Available in white ABS moulding (art. 4465W).

The 4467 compact design will blend in with most decors provides an unobtrusive flush or surface mounting sounder. A second preset tone is available with a third wire installed in the sounder circuit. 12Vdc and 24Vdc operation in same

sounder no adjustment required. High sound output with low current consumption. Available in white ABS moulding (art. 4467W).

DIMENSIONS



	4465	4467
Material	ABS plastic case	
Connections	Core Cables	
Colours	Red - White	
Power Supply	9 - 28 Vdc	
Current Consumption	8 mA @ 12 Vdc / 18 mA @ 24 Vdc	
Sound Pressure	99 dB @ 12 Vdc / 101 dB @ 24 Vdc	
Available tones	Sweeping 2400 - 2850 Hz at 7 Hz	Sweeping 800 - 970 Hz at 1 Hz
IP Rating	IP 65	IP 54
Working Temperature	-40° to +80° C	-40° to +80° C
Package	1 pcs.	
Weight	85 gr	109 gr