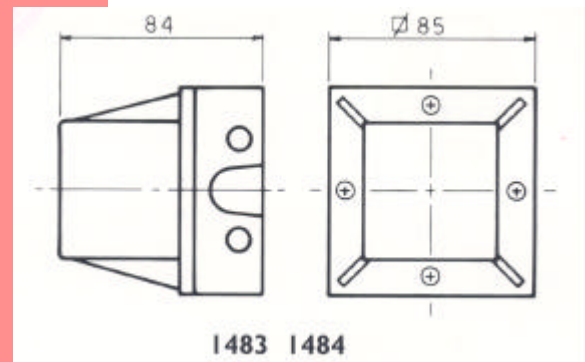


STROBES



**Flashing beacons with xenon lamp.
Higher efficiency and low consumption.
Polycarbonate lens. Flash frequency
adjustment. Suitable for 12 or 24 Vdc
Available in the following variants:
Art. 1483: white base, amber lens
Art. 1483CB: white base, blue lens
Art. 1483CR: white base, red lens
Art. 1483CT: white base, clear base
Art. 1484: red base, red lens**



	1483	1484
Housing	Lens: Polycarbonate Base: ABS plastic case	
Connections	Terminal Blocks	
Colours	Lens: red, amber - Base: red, white	
Power Supply	12 Vdc - 24 Vdc	
Current Consumption	130 mA @ 12 Vdc - 80 mA @ 24 Vdc	
Flash Frequency	60 ÷ 90 flashes/min	
IP Rating	IP 55	
Package	1	
Weight	220 gr	